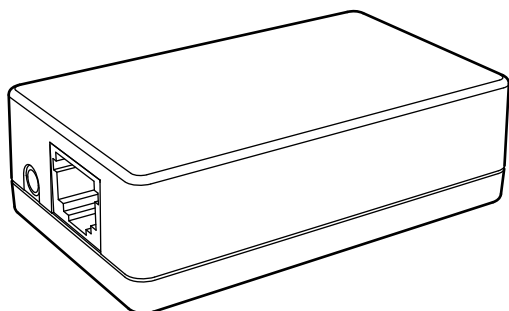


# Wireless Headset Adapter



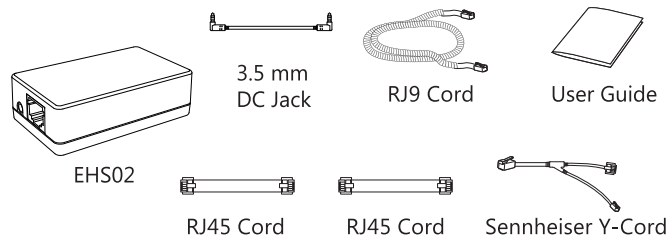
— EHS02 —

1

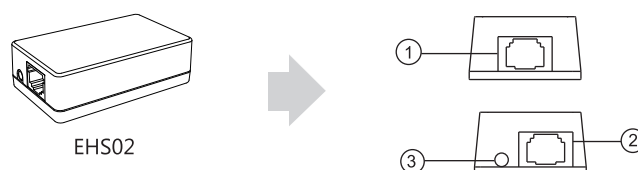
## Introduction

The Wireless Headset Adapter—EHS02, is perfect for connecting A-series 【A68(W)/A48(W)/A41(W) only】 phones and wireless headsets, such as Sennheiser/Jabra (GN Netcom) and Plantronics headsets.

## Packaging Contents



## Port Description



**Port ①:** Connect this port and the IP phone EXPAN port or Expansion Module EXPAN port (the expansion module has been connected to the phone) using the RJ45 cord.

2

**Port ②:** Connect this port and the Jabra(GN Netcom)/Sennheiser Wireless headset using the RJ45 cord.

**Port ③:** Connect this port and the Plantronics Wireless headset using the 3.5 mm DC jack.

## Cord Description

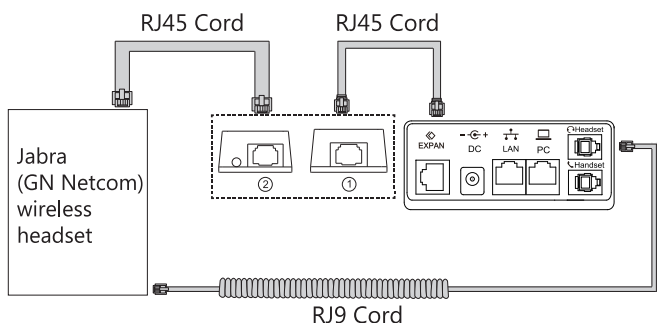
In addition to the cords mentioned in the Port Description section, the RJ9 Cord and the Sennheiser Y-Cord are also provided.

**RJ9 Cord:** For the audio connection between the IP phone headset port and the Jabra (GN Netcom) wireless headset.

**Sennheiser Y-Cord:** For the audio connection between the IP phone headset port, Wireless Headset Adapter and the Sennheiser wireless headset.

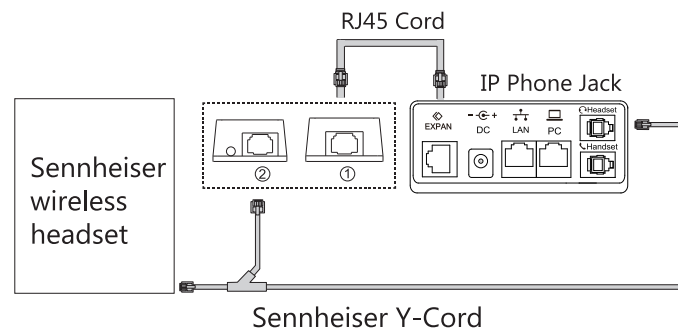
## Connecting IP Phone and Headset

This section introduces the connection between A68(W)/A48(W)/A41(W) IP phones and the wireless headset. The following figures take the A41X IP phone as an example. The following figure shows the connection between the IP phone and the Jabra (GN Netcom) wireless headset.

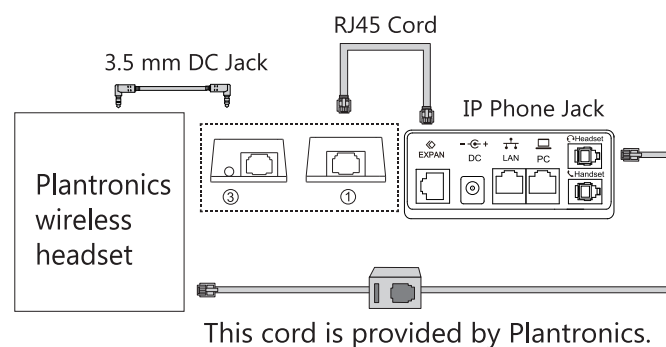


3

The following figure shows the connection between the IP phone and the Sennheiser wireless headset.



The following figure shows the connection between the IP phone and the Plantronics wireless headset.



This cord is provided by Plantronics.

4